

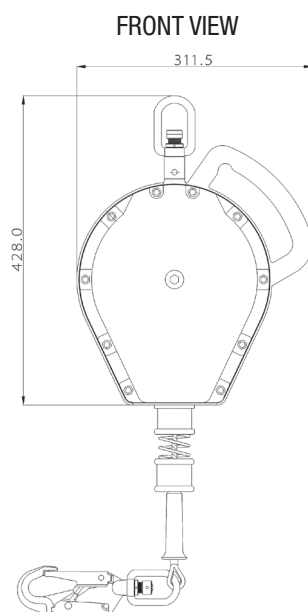
BPSSW30 ARRESTO CABLE INERTIA REEL 140kg x 30m

Arresto Cable Inertia Reels are manufactured and tested to satisfy the requirements of DIN EN 360:2002 to arrest a worker in the event of a fall and limit forces applied to the worker and the point of anchorage.

Swivel mounted and consisting of a heavy duty hook and hard plastic housing, the Arresto inertia reels have been manufactured to be robust and can be used on high-rise buildings, roofs and other fall hazard areas.

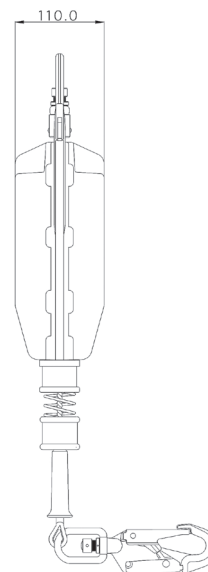
Features

- Robust & durable plastic casing
- Swivel anchorage with fall indicator
- ANSI compliant swivel snap hook
- 16Kn gate strength
- 20mm gate opening
- Fall indicator
- 4.5mm galvanised wire cable
- 30m galvanised wire cable
- 15.3kN breaking strength
- Not suitable for areas where falls over edge are possible or connection at foot level



FRONT VIEW

SIDE VIEW



SHOCK ABSORBING LANYARDS

Compliance

- Meets EN 360:2002
- Under Clause 1.6 of AS/NZS1891.3 1997 "Fall Arrest Devices complying with EN353-1, EN353-2 or EN360 are acceptable for use in Australia and New Zealand"

Testing Criteria

- Static Strength :15Kn for 3 min
- Dynamic Performance :100kg mass free fall of 600mm with breaking force of less than 6Kn & arrest distance of less than 2 metres

Servicing

AS/NZS1891.4:2009 requires Inertia Reels (Type 2 and 3 Fall Arrest devices) be serviced "by a height safety equipment inspector as recommended by the manufacturer to a maximum of 5 yearly. 12 monthly service in the absence of such recommendations". All inspections other than those by operator to be documented.

Arresto Inertia Reels can be serviced at 3 yearly intervals under the following conditions:

- It is documented at time of placing the Arresto Inertia Reel into service that the environment is not extreme - considering:
 - Exposure to elements
 - Temperature
 - Presence of dirt, dust, wind
 - Moisture
 - Contaminants (welding, chemical)
 - Visual inspections are undertaken and recorded every six months from date placed into service.

Code: BPSSW30

Description: Retractable Fall Arrester with galvanised steel wire rope Ø4.5mm

Capacity: 140kg

Length: 30 metres